
Accessories

PRICE LIST | JANUARY 2022

For Canadian pricing, please visit Trendealer to see the current conversion rate being used or contact your local Trendway Representative.

Accessories

Trendway product catalogs are available in the following design software: CAP, Data One, Giza, Midnight-Oil, and Project Matrix. The Systems price list is also available in .pdf (Acrobat Reader) format on www.trenddealer.com. For Architects and Designers, a free FSL (Furniture Symbol Library) is available on www.trendway.com.

Product dimensions are given throughout the product catalog and are followed by parenthesis which have the metric equivalent in millimeters. For example: A Rectangular Work Surface is available in a 48" (1219)-width.

Ordering Information

The most efficient way to enter an order is through Trendway On-Line Order Entry on dealer.trendway.com, which also accepts .sif files from the design software listed above. Faxed orders are available as well but may extend lead-times.

Order specification examples are shown throughout the price list at the bottom of each page. Be sure to follow the order sequence carefully to ensure complete and accurate order specification.

After placing an order, Trendway will send an order acknowledgement that follows the sequence of information outlined below. Trendway encourages you to follow the same steps so that checking your order against the acknowledgement will be as easy as possible.

Placing an Order

To make placing an order simple, Trendway On-Line Order Entry automatically prompts the product and option decisions that are required. For accurate order processing on faxed orders, please type or use legible handwriting, and be sure to include the following information:

1. A complete "sold to" address with correct Zip code.
2. A complete "ship to" address with correct Zip code.
3. A purchase order number. (The order is issued to Trendway Corporation, Holland, Michigan.)
4. A signature or name of person authorizing the purchase order.
5. A contact name and phone number at your company.
6. An actual calendar date for the requested delivery date (not ASAP).
7. Line items that are complete, which

means all catalog numbers and descriptions, options listed for each product selected, fabric/finish pattern and color descriptions, and all corresponding letter or number codes. Be sure to make a pick for all available options. Also, combine identical items and specify total quantity unless using special marking or tagging.

(Refer to your price list for ordering options.)

8. Special products referenced by their control numbers as well as their descriptions.
9. Line items that include price per unit, as well as extended totals.
10. A total dollar amount for the purchase order.
11. Any special shipping requirements clearly noted; i.e., "call before delivery."

By placing your orders correctly and completely the first time around, your order will be processed and scheduled without delay (subject to credit approval).

Lead-Times

The majority of Accessory products are shipped within Trendway's standard lead time. Extended lead-time items in the catalog are designated by shading.

Note: Shipping lead-times are subject to product availability due to order size. For exact lead-times on your order contact Trendway Customer Care.

Product Questions, Quotes & Order Placement On-Line

www.trenddealer.com
Hours: 24 Hours, 7 Days a Week

Customer Care Representative

Hours: Monday-Friday
7:30 am to 5:30 pm EST
Phone: 1-800-893-8115
Fax: 1-800-893-8121
e-mail: customer-care@trendway.com

Trendway Custom Solutions

Phone: 1-800-893-8117

For more information on Order Placement, Confirmation, and Lead-Times, see the Pricing, Procedures & Policies section in the back of this Price List.

1. Transportation

All orders are shipped by Trendway truck or common carrier. List prices shown include Trendway specified freight cost on all orders. For additional information about transportation, contact the Trendway Customer Care Department at 1-800-893-8115.

2. Prices

Prices shown in this offering are F.O.B. origin, freight prepaid. Trendway reserves the right to change prices without notice.

Sequence Information

The table below shows a sample of the price list format's sequence of information which will assist when placing an order and checking an order acknowledgement.

Sample Part Number:

C5FR2034	.H	.BB	.K	.FF	.AH2
-----	-	--	-	--	---

Surface Material Program

The Trendway Surface Material Program includes a broad selection of coordinated fabrics, laminate and trim finish options. Additionally, Trendway offers a Customers Own Material (COM) program to allow customers to further personalize their work stations.

The following sections describe the Trendway Surface Materials vocabulary.

Standard Program

Trendway's Standard Program of timeless and popular fabrics, finishes, vinyls and laminates, is recommended for corporate standards programs. These fabrics are carded and swatched by Trendway. Materials in the Trendway Standard Program offering are readily available for orders to ship within 2-4 weeks. Refer to individual panels for fire rating classifications.

Scheduled Program

Trendway's Schedule Program is made up of additional colors of standard patterns, as well as an evolving collection of fabrics from our textile partners designed to solve all your needs. Influenced and kept up to date by emerging trends, the typical life span in this program is one to three years and is not considered part of the standard program. To see the Scheduled fabrics go to the the surface material page on our website at www.Trendway.com and filter for "Scheduled" under "Lead-Times". Scheduled fabrics may have different lead time than standard fabrics. Please call Trendway customer care for estimated ship dates.

Both Standard and Scheduled Materials in this program comply with the industry standards for quality and performance.

They all pass California Technical Bulletin 117-2013 and are listed as part of the UL recognized component program.

Terratex®

Terratex is a Duvaltex brand designating fabrics that are made from 100% recycled or compostable material using increasingly sustainable manufacturing practices to produce a high-quality product that is recyclable at the end of its useful life. For more information, go to www.terratex.com.

COM

Customers Own Material program allows customers to select and specify their own fabric or laminate on Trendway product. For detailed information see item #11 (COM) in the Pricing, Procedures and Policies section in the back of the price list or on Trenddealer.com.

Pre-Approved COM

Select from popular COM fabrics pre-approved by Trendway. Customers are able to search the COM library on dealer.trendway.com for fabrics and specific applications that have passed manufacturability testing on Trendway product.

HOW TO ORDER SAMPLES

Standard Program Binder Cards

Seating and panel binder cards are available through Trendway fulfillment. dealer.trendway.com

Standard Program Samples

Samples of fabrics and finishes are available through Trendway fulfillment. dealer.trendway.com

Scheduled Samples

Samples must be ordered directly through the supplier. Contact information is listed below and also on our website www.trendway.com/surfacematerials. Click on the link next to the swatch samples.

Camira

www.camirafabrics.com
1-616-288-0655

Culp Contract

www.culpcontract.com
336-888-6274

Guilford Of Maine®

www.guilfordofmaine.com
1-800-544-0200

Mayer Fabrics

www.mayerfabrics.com
1-800-428-4415

Momentum® Textiles

www.memosamples.com
1-800-366-6839

Nevamar

www.nevamar.com
1-800-638-4380

Pionite

www.pionite.com
1-800-746-6483


Ultrafabrics®

www.ultrafabricsinc.com
914-460-1730

Wilsonart®

www.wilsonart.com
1-800-433-3222

Surface Material Legend

 = 100% Recycled Content

 = Bleach Cleanable. Refer to specific cleaning instructions for each fabric on www.Trendway.com.

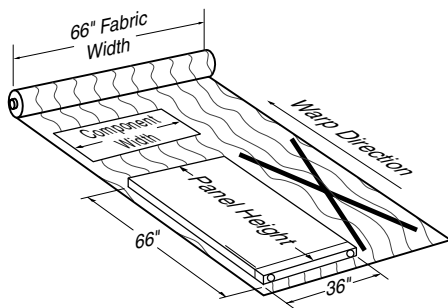
Pattern	Capture Tiles	Choices Panels & All Systems Components	Fabric Screens	Tackboards		TrendWall	Volo	Cushion Tops
				> 60"	< 60"			
Amaze	↓	↓	↓	R	↓	↓	↓	•
Anchorage	↓	↓	↓	R	↓	↓	↓	•
Aurora	↓	↓	↓	R	↓	↓	↓	•
Chase	↓	↓	↓	R	↓	↓	↓	•
Framework	↕	↕	↕	↕	↕	↓	↕	•
Glint	↓	↓	↓	R	↓	↓	↓	•
Intermix	↓	↓	•	R	↓	↓	↓	•
Intuition*	↓	•	•	R	↓	•	↓	↓
Merge	↕	↕	↕	↕	↕	↕	↕	↕
Mingle	↓	↓	↓	R	↓	•	•	•
Netiquette**	↓	•	•	R	↓	↓	↓	•
Pact	↓	↓	↓	R	↓	↓	↓	•
Pursuit	↓	↓	↓	R	↓	↓	↓	•
Tabby Weave	↕	↕	↕	↕	↕	↕	↕	•

- Not Available
- ↕ Non Directional - Pattern will be applied for best yield
- ↓ Down Roll - The height dimension of the tile or component is parallel to the warp of the fabric
- R Railroaded - The height dimension of the tile or component is perpendicular to the warp of the fabric
- * Multi-use fabric (seating and panel) available on Capture, Fabric Screens, and Volo
- ** Not available on Choices Panels, but approved on Choice's Tackboards and Flipper Doors

Down-Roll (↓)

Down-roll means the height dimension of the tile or component is parallel to the warp of the fabric (Fig. A).

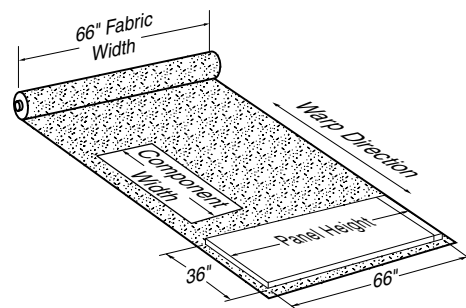
Fig. A



Railroad

Railroad means the height dimension of the tile or component is perpendicular to the warp of the fabric (Fig. B).

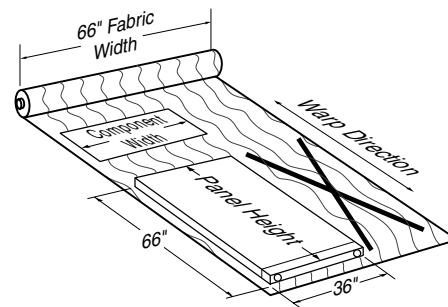
Fig. B



COM Fabrics

COM fabrics may be applied either Down-roll (Fig. A) or Railroad (Fig. B). When choosing Railroad on COM fabrics please note that 84" (2134)-high Choices and TrendWall Panels cannot be Railroad due to panel fabric being 66" (1676)-wide (Fig. C).

Fig. C



Standard Panel Fabrics

Framework		Grade 0	Intermix 		Grade 1	Tabby Weave 		Grade 2
Value Fabric		 Guilford of Maine				QQ3	Cement Mix	
KK1	Cappuccino		KDM	Foggy		175	Crystal Blue	
BJ7	Dove Gray		KDK	Husky		238	Grey Mix	
KK2	Espresso		KDT	Neptune		K99	Medium Grey	
B4Y	Eucalyptus		KDJ	Rocket Ship		380	Quartz	
B4X	Gray Blue		KDH	Seagull		BV2	Silver Papier	
KJX	Grotto		KDV	Smoky Quartz		150	Wedgewood	
BFP	Hunter		KDR	Swan				
BFR	Marble		Mingle		Grade 1			
B4V	Sandy Pebble		Guilford of Maine					
BG8	Twilight		Z53	Biscuit				
Merge		Grade 0	Z4X	Carbon				
Z42	Dove		Z4Y	Crystal				
Z43	Driftwood		Z52	Wheatberry				
Z44	Eucalyptus		Z51	Winter				
Z45	Fawn		Netiquette		Grade 1			
Z46	Fire Engine		KK5	Analog				
Z47	Graphite		KK3	Chipset				
Z49	Green Apple		KK4	Dashboard				
Z4A	Ivy		KK8	Gamma				
Z4C	Mandarin		KK7	Inkjet				
Z4D	Marshmallow		KKC	Pixel				
Z4F	Midnight		KKA	Refresh				
Z4H	Slate		KK6	Schema				
Amaze		Grade 1	KK9	Vector				
Guilford of Maine			Pursuit		Grade 1			
Z4W	Morel		Guilford of Maine					
Z4T	Platinum		KDG	Cement				
Z4V	Steel		KDA	Dove				
Z4U	Sky		KDF	Elephant				
Aurora		Grade 1	KDC	Mist Grey				
Guilford of Maine			KD9	Whisper				
Z55	Cloud		KDD	White Linen				
Z54	Frost		Pact		Grade 2			
Z56	Latte		Momentum					
Z57	Pewter		BM5	Aloe				
Chase		Grade 1	BM8	Coastal				
Guilford of Maine			BMA	Dove				
Z4K	Coin		BME	Fern				
Z4M	Ecru		BMF	Harbour				
Z4P	Mushroom		BMJ	Midnight				
Z4R	Pumice		BMM	Patina				
Z4N	Shadow		BMN	Putty				
			BMU	Sketch				
			BMW	Taupe				
			BMX	Toasty				
						Anchorage		Grade 3
						Guilford Of Maine		
						AR1	Angora	
						AR0	Asteroid	
						BF4	Aubergine	
						AQ8	Birch	
						BF9	Cobalt	
						AQ7	Deep Water	
						BFM	Graphite	
						BFF	Green Apple	
						BFA	Lapis	
						BFD	Midnight	
						GEB	Onyx	
						KX1	Pool	
						BF2	Pumpkin	
						AQ6	Quarry Blue	
						BFN	Red Delicious	
						AQ5	Slate	
						BFC	Thistle	
						AQ1	Vanilla	
						BXP	Waterfall	
						BFG	Willow	
						BJF	Wolf	
						Glint		Grade 3
						Momentum		
						KG4	Caspian	
						KG5	Column	
						KG7	Gypsum	
						KG9	Opal	
						KJ2	Pumice	
						KGC	Relic	
						KGE	Serene	
						KGF	Shale	
						Intuition*		Grade 4
						Guilford of Maine		
						Z27	Bisque	
						Z2C	Honey	
						Z2E	Peacock	
						Z2G	Sage	

* Available on Capture, Fabric Screens, and Volo

To see all Trendway fabric options, go to Trendway.com

Standard Systems Finishes

Trendway standard paints include smooth and textured styles in our six trim colors.

Systems Paints and Trim

K	Charcoal
DW	Designer White
G	Gray
L	Light Gray
Y	Sand
J	Stucco
TK	Textured Charcoal
TDW	Textured Designer White
TG	Textured Gray
TL	Textured Light Gray
TY	Textured Sand
TJ	Textured Stucco

Glazed Panels

Plexiglass

- 01 Clear
- E3A *Frosted

*Tempered Glass

- 03 Clear
- 05 Frosted

Ecoresin

The color options are semi-transparent with (or without) patterns.

*3form

- E02 Solo Aqua Supermatte Ecoresin
- E01 Solo Supermatte Ecoresin
- E03 Spider Ecoresin

***Note:** These options are offered at an upcharge. Please refer to a specific item in your price list to determine the amount of upcharge.

Premium Systems Finishes

Premium finishes are offered at a modest upcharge. Please refer to a specific item in your price list to determine the amount of upcharge. Textured colors display a matte texture with metallic highlights. They coordinate with standard Trendway trim colors (indicated by the second letter in the code).

Smooth Metallic Paint

PA	Platinum
----	----------

** Available on Capture, Fabric Screens, and Volo*

To see all Trendway finish options, go to Trendway.com

Single Acrylic Screen - Post Style Bracket- Screw Mount

The Post Style Bracket can be mounted with screws to any laminate work surface, desk or table top to provide a division. Included with the Screen are two posts, one acrylic screen, and the necessary mounting hardware.

Note: The No Gap option will have a 3/4" gap to allow for cord pass through.

Note: The actual width of the acrylic screen is 3 3/8" shorter than nominal.

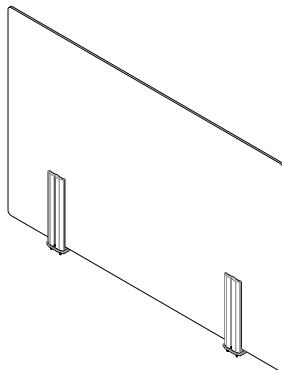
Access Slot Width Opening	
Width	Access Slot Opening
24"	10.13"
30"	16.13"
36"	22.13"
42"	20.13"
48"	26.13"
54"	32.13"
60"	30.13"
66"	36.13"
72"	42.13"

Single Acrylic Screen - Post Style Bracket- Screw Mount

Dimensions		List Price		Catalog Number	Work Surface Gapping	Insert Material	Trim Color
Width	Height	Clear Plexi 01	Frosted Plexi E3A				
24" (610)	24" (610)	\$ 462	\$ 501	SCNSMPS2424	NP No Gap 4A 4" Access Slot along back	01 Clear Plexi E3A Frosted Plexi	Standard Finish No Cost Premium Finishes +\$13
30" (762)							
36" (914)							
42" (1067)							
48" (1219)							
54" (1372)							
60" (1524)							
66" (1676)							
72" (1829)							
24" (610)	30" (762)	462	543	SCNSMPS2430			
30" (762)							
36" (914)							
42" (1067)							
48" (1219)							
54" (1372)							
60" (1524)							
66" (1676)							
72" (1829)							
24" (610)	36" (914)	548	627	SCNSMPS2436			
30" (762)							
36" (914)							
42" (1067)							
48" (1219)							
54" (1372)							
60" (1524)							
66" (1676)							
72" (1829)							

Build your complete Part Number here:

-----	---	---	---
-------	-----	-----	-----



Sample Part Number:

SCNSMPS2424	.4A	.01	.K
-------------	-----	-----	----

Total Cost \$462 =

\$462	+	N/A	+	N/A	+	N/A
-------	---	-----	---	-----	---	-----

Single Acrylic Screen - Freestanding Plate

The Freestanding Acrylic Screen can be placed on any work surface or table to provide a division. Included with the screen is either 2 or 4 Gray Brackets depending on the width of the screen. The brackets come with two types of foam pads for the underside of the bracket plates based on installation needs. One pad helps to prevent the screen from skidding on the worksurface, and the other pad uses double-sided tape for more of a secure attachment.

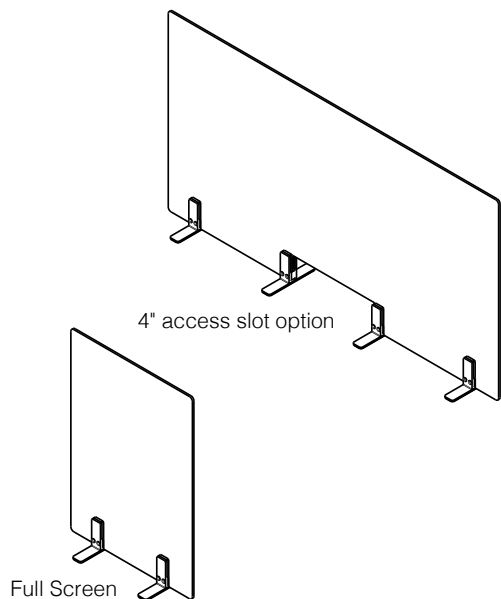
Note: The actual width of the acrylic screen is 3 3/8" shorter than nominal.

Note: Screens 24-54" in width will have 2 brackets and Screens 60-72" in width will have 4 brackets.

Access Slot Width Opening	
Width	Access Slot Opening
24"	9.5"
30"	15.5"
36"	21.5"
42"	23.5"
48"	29.5"
54"	35.5"
60"	14.187"
66"	16.187"
72"	18.187"

Single Acrylic Screen - Freestanding Plate

Dimensions		List Price		Catalog Number	Work Surface Gapping	Insert Material
Width	Height	Clear Plexi 01	Frosted Plexi E3A			
24" (610)	24" (610)	\$ 363	\$ 425	SCNAFS2424	NP No Gap 4A 4" Access Slot along back	01 Clear Plexi E3A Frosted Plexi
30" (762)		383	461	SCNAFS3024		
36" (914)		404	497	SCNAFS3624		
42" (1067)		425	533	SCNAFS4224		
48" (1219)		447	571	SCNAFS4824		
54" (1372)		478	617	SCNAFS5424		
60" (1524)		555	711	SCNAFS6024		
66" (1676)		576	747	SCNAFS6624		
72" (1829)	598	785	SCNAFS7224			
24" (610)	30" (762)	383	461	SCNAFS2430		
30" (762)		410	506	SCNAFS3030		
36" (914)		436	552	SCNAFS3630		
42" (1067)		463	599	SCNAFS4230		
48" (1219)		489	645	SCNAFS4830		
54" (1372)		525	699	SCNAFS5430		
60" (1524)		608	803	SCNAFS6030		
66" (1676)		634	848	SCNAFS6630		
72" (1829)	661	895	SCNAFS7230			
Build your complete Part Number here:				-----	---	---



Sample Part Number:

SCNAFS2424	.4A	.01
\$363	+	N/A
		+
		N/A

Total Cost \$363 =

Single Acrylic Screen - Edge Mount Bracket

The Edge Mount Bracket uses clamps to attach to the back edge of a work surface. It is compatible with work surfaces up to 1 1/3" thick. The screen sits slightly offset from the back edge, creating a 3/4" gap to facilitate power/data cable management and other accessories. The final installed height of the

screen is measured from the desktop to the top of the screen. The screen width is 3/8" shorter than nominal. All necessary mounting hardware is included.

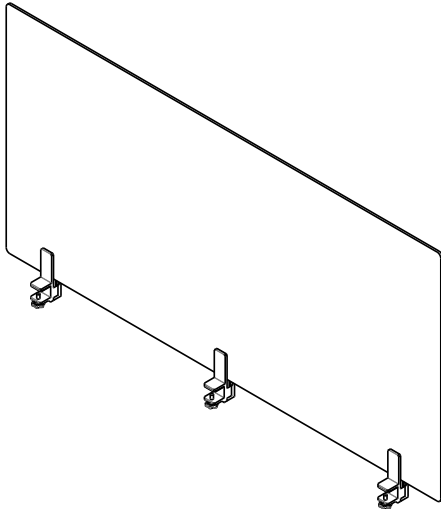
Note: Screens 24"-54" wide will ship with 2 brackets. Screens 60" and wider will ship with 3 brackets.

Single Acrylic Screen - Edge Mount Bracket

	Dimensions		List Price		Catalog Number	Insert Material	Bracket Color			
	Width	Height	Clear Plexi 01	Frosted Plexi E3A						
Screens	24" (610)	24" (610)	\$ 338	\$ 400	SCNBECMS2424	No Cost 01 Clear Plexi	G Gray			
	30" (762)		359	438	SCNBECMS3024					
	36" (914)		381	475	SCNBECMS3624					
	42" (1067)	402	513	SCNBECMS4224	E3A Frosted Plexi		K Charcoal			
	48" (1219)	424	550	SCNBECMS4824						
	54" (1372)	456	599	SCNBECMS5424						
	60" (1524)	500	658	SCNBECMS6024						
	Lighting	66" (1676)		521	695	SCNBECMS6624	E3A Frosted Plexi	DW Designer White		
		72" (1829)		543	733	SCNBECMS7224				
		Monitor Arm	24" (610)	30" (762)	\$ 359	\$ 438			SCNBECMS2430	
30" (762)			387		486	SCNBECMS3030				
36" (914)			413		531	SCNBECMS3630				
42" (1067)			441		579	SCNBECMS4230				
48" (1219)			467		626	SCNBECMS4830				
54" (1372)			504		682	SCNBECMS5430				
60" (1524)	554		752		SCNBECMS6030					
66" (1676)	580		798		SCNBECMS6630					
72" (1829)	607		846		SCNBECMS7230					
Keyboard Tray										

Build your complete Part Number here:

-----	---	---
-------	-----	-----



Sample Part Number:

SCNBECMS2424	.01	.G
--------------	-----	----

Total Cost \$338 =

\$338	+	N/A	+	N/A
-------	---	-----	---	-----

Single Acrylic Screen - Top Mount Bracket

The Top Mount Bracket uses clamps to attach to the top of the work surface. It is compatible with work surfaces up to 1 1/3" thick. The screen sits on the work surface creating a 1 3/4" gap between the work surface and the bottom of the screen. The final installed height of the screen is measured from the desktop to the top of the screen. The screen width is 3/8" shorter than nominal. All necessary mounting hardware is included.

Note: Screens 24"-54" wide will ship with 2 brackets. Screens 60" and wider will ship with 3 brackets.

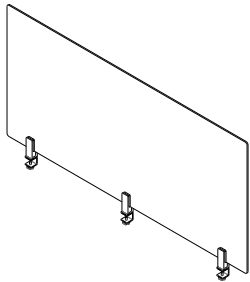
Corner Connector Kit

The Corner Connector Kit attaches Edge Mount Screens to Top Mount Screens at the intersecting corners. This creates 'L' and 'U' shape configurations connected as one unit. The SCNCCK Kit provides 2 brackets to create one corner connection for an 'L' Shape. The SCNCCK2 Kit

provides 4 brackets to accommodate 2 corner connections for a 'U' Shape.

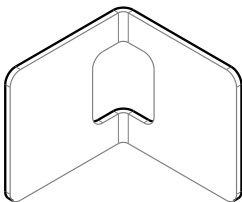
Note: these are the same corner brackets used with the Post Style and Low Profile Bracket Screens, and can be utilized as service parts for these screens if needed.

Single Acrylic Screen - Top Mount Bracket



Dimensions		List Price		Catalog Number	Insert Material	Bracket Color
Width	Height	Clear Plexi 01	Frosted Plexi E3A			
24" (610)	24" (610)	\$ 338	\$ 400	SCNDTCMS2424	No Cost 01 Clear Plexi	G Gray
30" (762)		359	438	SCNDTCMS3024		
36" (914)		381	475	SCNDTCMS3624		
42" (1067)		402	513	SCNDTCMS4224		
48" (1219)		424	550	SCNDTCMS4824		
54" (1372)		456	599	SCNDTCMS5424		
60" (1524)		500	658	SCNDTCMS6024		
66" (1676)		521	695	SCNDTCMS6624		
72" (1829)	543	733	SCNDTCMS7224	E3A Frosted Plexi	DW Designer White	
24" (610)	30" (762)	\$ 359	\$ 438			SCNDTCMS2430
30" (762)		387	486			SCNDTCMS3030
36" (914)		413	531			SCNDTCMS3630
42" (1067)		441	579			SCNDTCMS4230
48" (1219)		467	626			SCNDTCMS4830
54" (1372)		504	682			SCNDTCMS5430
60" (1524)		554	752			SCNDTCMS6030
66" (1676)		580	798	SCNDTCMS6630		
72" (1829)		607	846	SCNDTCMS7230		
Build your complete Part Number here:				_____	___	___

Corner Connector Kit



	List Price	Catalog Number	Trim Color
2 Brackets to Connect 1 Corner	\$ 55	SCNCCK	Standard Finish No Cost
4 Brackets to Connect 2 Corners	\$ 88	SCNCCK2	Premium Finishes \$13

Note: For the Clamp Mount Screens specify Gray, Charcoal or Designer White to match the bracket color.

Sample Part Number:

SCNDTCMS2424	.01	.G
--------------	-----	----

Total Cost \$338 =

\$338	+	N/A	+	N/A
-------	---	-----	---	-----

U-Shape Acrylic Screen - Post Style Bracket

The U-Shape Post Style Bracket can be mounted with screws or adhesive to any laminate work surface, desk or table top to provide a division. Included with the screen are six posts, three acrylic screens, and the necessary mounting hardware.

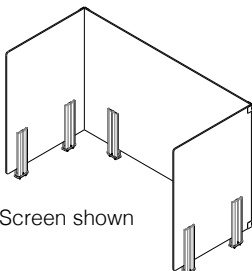
Note: The No Gap option will have a 3/4" gap to allow for cord pass through.

Note: The minimum overall width of a desk needed to house a screen is 2.25" less than nominal. The minimum overall depth needed to house the screen is 2.5" less than the nominal depth.

Access Slot Width Opening	
Width	Access Slot Opening
36"	22.13"
42"	20.13"
48"	26.13"
54"	32.13"
60"	30.13"
66"	36.13"
72"	42.13"

U-Shape Acrylic Screen - Post Style Bracket

Width	Dimensions		List Price		Catalog Number	Work Surface Gapping	Insert Material	Trim Color
	Depth	Height	Clear Plexi 01	Frosted Plexi E3A				
36" (914)	24" (610)	24" (610)	\$ 1408	\$ 1567	SCNSMPU362424	NP No Gap 2B 2" Gap 4A 4" Access Slot along back	01 Clear Plexi E3A Frosted Plexi	Standard Finish No Cost Premium Finishes +\$13
42" (1067)			1413	1572	SCNSMPU422424			
48" (1219)			1419	1578	SCNSMPU482424			
54" (1372)			1435	1846	SCNSMPU542424			
60" (1524)			1446	1853	SCNSMPU602424			
66" (1676)			1611	1858	SCNSMPU662424			
72" (1829)			1622	1864	SCNSMPU722424			
36" (914)	30" (762)	24" (610)	1408	1650	SCNSMPU363024			
42" (1067)			1413	1655	SCNSMPU423024			
48" (1219)			1419	1661	SCNSMPU483024			
54" (1372)			1435	1930	SCNSMPU543024			
60" (1524)			1446	1935	SCNSMPU603024			
66" (1676)			1611	1941	SCNSMPU663024			
72" (1829)			1622	1946	SCNSMPU723024			
36" (914)	24" (610)	30" (762)	1408	1738	SCNSMPU362430			
42" (1067)			1413	1743	SCNSMPU422430			
48" (1219)			1419	1749	SCNSMPU482430			
54" (1372)			1493	2435	SCNSMPU542430			
60" (1524)			1507	2442	SCNSMPU602430			
66" (1676)			1611	2447	SCNSMPU662430			
72" (1829)			1622	2452	SCNSMPU722430			
36" (914)	30" (762)	30" (762)	1465	2073	SCNSMPU363030			
42" (1067)			1474	2079	SCNSMPU423030			
48" (1219)			1485	2084	SCNSMPU483030			
54" (1372)			1553	2777	SCNSMPU543030			
60" (1524)			1567	2782	SCNSMPU603030			
66" (1676)			1669	2787	SCNSMPU663030			
72" (1829)			1683	2794	SCNSMPU723030			
36" (914)	24" (610)	36" (914)	1757	2070	SCNSMPU362436			
42" (1067)			1765	2078	SCNSMPU422436			
48" (1219)			1771	2084	SCNSMPU482436			
54" (1372)			1784	2606	SCNSMPU542436			
60" (1524)			1798	2612	SCNSMPU602436			
66" (1676)			2131	2617	SCNSMPU662436			
72" (1829)			2145	2623	SCNSMPU722436			
36" (914)	30" (762)	36" (914)	1757	2239	SCNSMPU363036			
42" (1067)			1765	2243	SCNSMPU423036			
48" (1219)			1771	2249	SCNSMPU483036			
54" (1372)			1784	2777	SCNSMPU543036			
60" (1524)			1798	2782	SCNSMPU603036			
66" (1676)			2131	2787	SCNSMPU663036			
72" (1829)			2145	2794	SCNSMPU723036			



Full Screen shown

Build your complete Part Number here:

Sample Part Number:

Total Cost \$1408 =

-----	---	---	--
SCNSMPU362424	.NP	.01	.K
\$1408	+	N/A	+
		N/A	+
			N/A

U-Shape Acrylic Screen - Low Profile Bracket

The U-Shape Low Profile Bracket can be mounted with adhesive to any laminate work surface, desk or table top to provide a division. Included with the screen are six brackets, three acrylic screens, and the necessary mounting hardware.

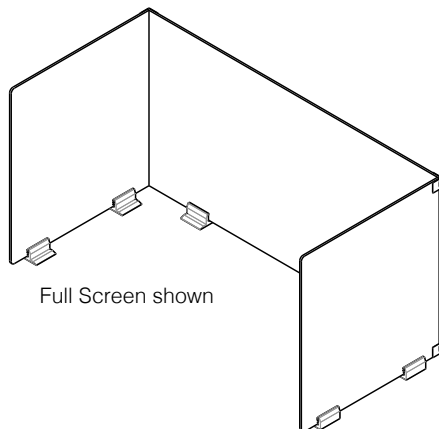
Note: The No Gap option will have a .6" gap to allow for cord pass through.

Note: The minimum overall width of a desk needed to house a screen is 2.25" less than nominal. The minimum overall depth needed to house the screen is 2.125" less than the nominal depth.

Access Slot Width Opening	
Width	Access Slot Opening
36"	18.88"
42"	16.88"
48"	22.88"
54"	28.88"
60"	26.88"
66"	32.88"
72"	38.88"

U-Shape Acrylic Screen - Low Profile Bracket

Dimensions Width Depth Height	List Price		Catalog Number	Work Surface Gapping	Insert Material	Trim Color
	Clear Plexi 01	Frosted Plexi E3A				
36" (914) 24" (610) 24" (610)	\$ 852	\$ 1011	SCNTDMU362424	NP No Gap 4A 4" Access Slot along back screen	01 Clear Plexi E3A Frosted Plexi	Standard Finish No Cost Premium Finishes +\$13
42" (1067)	858	1017	SCNTDMU422424			
48" (1219)	863	1022	SCNTDMU482424			
54" (1372)	881	1292	SCNTDMU542424			
60" (1524)	891	1298	SCNTDMU602424			
66" (1676)	1056	1303	SCNTDMU662424			
72" (1829)	1067	1309	SCNTDMU722424			
36" (914) 30" (762) 24" (610)	852	1094	SCNTDMU363024			
42" (1067)	858	1100	SCNTDMU423024			
48" (1219)	863	1105	SCNTDMU483024			
54" (1372)	881	1376	SCNTDMU543024			
60" (1524)	891	1380	SCNTDMU603024			
66" (1676)	1056	1386	SCNTDMU663024			
72" (1829)	1067	1391	SCNTDMU723024			
36" (914) 24" (610) 30" (762)	852	1182	SCNTDMU362430			
42" (1067)	858	1188	SCNTDMU422430			
48" (1219)	863	1193	SCNTDMU482430			
54" (1372)	939	1880	SCNTDMU542430			
60" (1524)	951	1886	SCNTDMU602430			
66" (1676)	1056	1892	SCNTDMU662430			
72" (1829)	1067	1897	SCNTDMU722430			
36" (914) 30" (762) 30" (762)	910	1517	SCNTDMU363030			
42" (1067)	918	1523	SCNTDMU423030			
48" (1219)	924	1529	SCNTDMU483030			
54" (1372)	997	2221	SCNTDMU543030			
60" (1524)	1006	2227	SCNTDMU603030			
66" (1676)	1113	2232	SCNTDMU663030			
72" (1829)	1127	2238	SCNTDMU723030			



Build your complete Part Number here:

-----	---	---	--
-------	-----	-----	----

Sample Part Number:

SCNTDMU362424	.NP	.01	.K
---------------	-----	-----	----

Total Cost \$852 =

\$852	+	N/A	+	N/A	+	N/A
-------	---	-----	---	-----	---	-----

Panel Topper Acrylic Screen

The Panel Topper Acrylic Screen attaches to any Choices or Capture Panel – monolithic, fabric, vinyl or glass. The Panel Topper attaches over the existing top cap and requires no field drilling. The acrylic screen is available in either Clear or Frosted Plexi and includes attachment hardware. Foam pads to protect the finish of the panel are included with the attachment hardware.

Note: The actual screen acrylic width is 5/8" shorter than nominal.

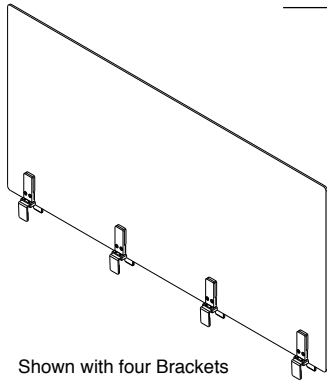
Note: Panel Topper Screens cannot attach behind steel overhead flipper units or on return panels next to any overhead storage unit.

Screen size	Number of Brackets
24" – 42"	2
48"	3
60"	4

Screen Alignment Clip

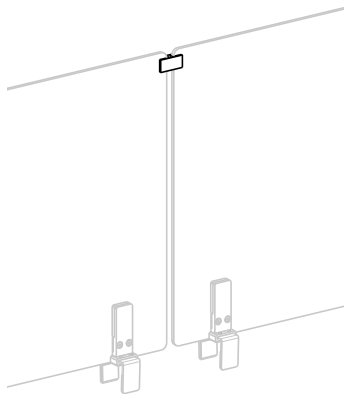
The Screen Alignment Clip is used in a straight line condition to assure straightness from one Panel Topper Screen to another. The Clip comes with foam pads and slides over the acrylic. It is available in all Trendway Trim colors.

Panel Topper Acrylic Screen



Dimensions		Clear Plexi (01)	Frosted Plexiglass (E3A)	Catalog Number	Insert Material	Bracket Color
Width	Height					
24" (609)	12" (305)	\$332	376	SCNAPT2412	01 Clear Plexi	Standard Finishes No Cost
30" (762)		343	394	SCNAPT3012		
36" (914)		354	413	SCNAPT3612		
42" (1067)		365	433	SCNAPT4212		
48" (1219)		443	522	SCNAPT4812		
60" (1524)		541	641	SCNAPT6012		
24" (609)	16" (406)	\$346	\$401	SCNAPT2416	E3A Frosted Plexi	Premium Finishes +\$13
30" (762)		360	426	SCNAPT3016		
36" (914)		374	452	SCNAPT3616		
42" (1067)		388	477	SCNAPT4216		
48" (1219)		470	572	SCNAPT4816		
60" (1524)		577	703	SCNAPT6016		
24" (609)	18" (457)	\$353	\$413	SCNAPT2418		
30" (762)		369	441	SCNAPT3018		
36" (914)		385	470	SCNAPT3618		
42" (1067)		400	526	SCNAPT4218		
48" (1219)		485	598	SCNAPT4818		
60" (1524)		594	734	SCNAPT6018		
24" (609)	24" (609)	\$374	\$452	SCNAPT2424		
30" (762)		394	488	SCNAPT3024		
36" (914)		415	526	SCNAPT3624		
42" (1067)		436	563	SCNAPT4224		
48" (1219)		526	672	SCNAPT4824		
60" (1524)		645	828	SCNAPT6024		
24" (609)	30" (762)	\$394	\$488	SCNAPT2430		
30" (762)		421	536	SCNAPT3030		
36" (914)		447	583	SCNAPT3630		
42" (1067)		474	630	SCNAPT4230		
48" (1219)		568	748	SCNAPT4830		
60" (1524)		698	923	SCNAPT6030		

Screen Alignment Clip



Width	Height	List Price	Catalog Number	Trim Color
2" (51)	1" (25)	\$55	SCNAHAP	Standard Finishes No Cost Premium Finishes +\$13
				--

Sample Part Number:

SCNAPT2424	E3A	.L
------------	-----	----

Total Cost \$452 =

\$452	+	N/C	+	N/C
-------	---	-----	---	-----

Top Mounted Fabric Screen

The Top Mounted Fabric Screens can be mounted on top of any work surface. The 18, 22 and 28 inch screens are designed to work as side screens. The larger widths are designed to mount to the front edge of a surface, or across the seam of two surfaces positioned back to back. The screen is fully tackable, fabric covered, and comes with all the hardware to attach it. The

hardware has a small reveal at the very bottom of the screen and what the trim color is related to.

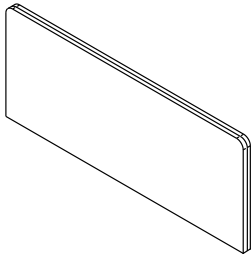
Fabric Screen / Modesty Combination

The Fabric Screen Modesty Combination mounts to the underside back edge of the desk top. The screen is fully tackable, fabric covered, and comes with all the hardware to attach

it. It provides 13" of privacy above the surface and 14" below the surface.

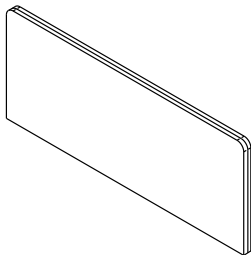
Top Mount Fabric Screen

Dimensions		List Price Fabric Grade						Catalog Number	Fabric Color	Trim Color
Width	Height	0/1	2	3	4	5	6			
18" (457)	13" (330)	\$ 647	\$ 702	\$ 735	\$ 785	\$ 842	\$ 902	TRGFTMS1813	(See Surface Materials Page 7)	Standard Smooth Finishes Only
22" (559)		658	713	746	796	853	913	TRGFTMS2213		
28" (711)		698	753	786	836	893	953	TRGFTMS2813		
35 7/8" (911)		795	850	883	933	990	1050	TRGFTMS3613		
41 7/8" (1064)		842	897	930	980	1037	1097	TRGFTMS4213		
47 7/8" (1216)		888	943	976	1026	1083	1143	TRGFTMS4813		
53 7/8" (1368)		939	994	1027	1077	1134	1194	TRGFTMS5413		
59 7/8" (1521)		986	1041	1074	1124	1181	1241	TRGFTMS6013		
65 7/8" (1673)	1037	1092	1125	1175	1232	1292	TRGFTMS6613			
71 7/8" (1826)	1084	1139	1172	1222	1279	1339	TRGFTMS7213			
18" (457)	19" (483)	\$ 656	\$ 711	\$ 744	\$ 807	\$ 880	\$ 950	TRGFTMS1819		
22" (559)		668	723	756	819	892	962	TRGFTMS2219		
28" (711)		711	766	799	862	935	1005	TRGFTMS2819		
35 7/8" (911)		811	866	899	962	1035	1105	TRGFTMS3619		
41 7/8" (1064)		860	915	948	1011	1084	1154	TRGFTMS4219		
47 7/8" (1216)		909	964	997	1060	1133	1203	TRGFTMS4819		
53 7/8" (1368)		963	1018	1051	1114	1187	1257	TRGFTMS5419		
59 7/8" (1521)		1013	1068	1101	1164	1237	1307	TRGFTMS6019		
65 7/8" (1673)	1067	1122	1155	1218	1291	1361	TRGFTMS6619			
71 7/8" (1826)	1116	1171	1204	1267	1340	1410	TRGFTMS7219			



Fabric Screen/Modesty Combination

Dimensions		List Price Fabric Grade						Catalog Number		
Width	Height	0/1	2	3	4	5	6			
23 3/4" (603)	28" (711)	\$ 733	\$ 790	\$ 838	\$ 939	\$ 1054	\$ 1164	TRGFSMC2428		
29 3/4" (756)		778	835	883	984	1099	1209	TRGFSMC3028		
35 3/4" (908)		831	888	936	1037	1152	1262	TRGFSMC3628		
41 3/4" (1060)		885	944	990	1107	1232	1362	TRGFSMC4228		
47 3/4" (1213)		938	997	1048	1177	1323	1466	TRGFSMC4828		
53 3/4" (1365)		1075	1134	1185	1314	1460	1603	TRGFSMC5428		
59 3/4" (1518)		1128	1187	1238	1394	1568	1746	TRGFSMC6028		
65 3/4" (1670)		1186	1245	1296	1452	1626	1804	TRGFSMC6628		
71 3/4" (1822)		1239	1298	1349	1505	1679	1857	TRGFSMC7228		
Build your complete Part Number here:								----	----	-



Sample Part Number:

TRGFTMS1813	.KK6	.G
-------------	------	----

Total Cost \$647 =

\$647	+	N/C	+	N/C
-------	---	-----	---	-----

LED Task Lights

Ultra slim LED task lights are only 2" (51)-wide, just over 1/2" high and available in 3 widths-17, 31 and 44. They come complete with hardware to attach to both metal flipper doors and laminate freestanding hutches. All LED task lights include a dimmer, 10 hour auto shut off, and a 50,000 hour life span. The unit is anodized aluminum with white end caps. ETL listed.

LED Task Light Complete

The LED Task Light Complete includes the light, mounting hardware and power source. It is the equivalent of a regular fluorescent task light.

LED Task Light Main Power Daisy Chain

The Task light with main power provides the light and mounting hardware plus a 60 watt power supply capable of powering more than one light. The power supply can accommodate a maximum of 60 watts. Please see the chart-for appropriate wattages as to not overload the power supply.

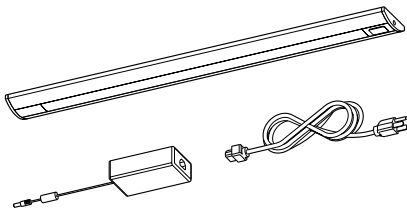
Width	Watts
17	9
31	18
44	25

LED Task Light Daisy Chain Jumper Cord

The LED Daisy Chain Jumper Cord Task Light includes the light and mounting hardware, plus an 8" and 30" jumper cord to attach to another task light. The jumper cord can attach to a Daisy Chain Main Power Task Light or another Daisy Chain Jumper Cord Task Light. Each connected light will have an independent power switch.

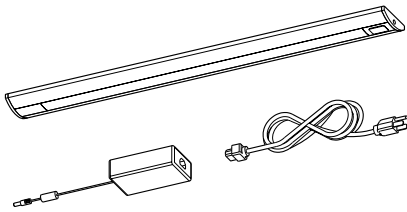
LED Task Light Occupancy Sensor

The LED Occupancy Sensor will automatically turn off all interlinked fixtures after 30 minutes of no movement. One occupancy sensor can 'control' all the lights that are daisy chained together.



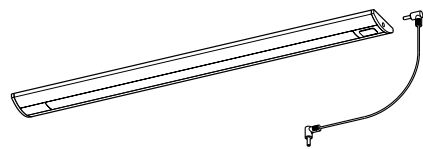
LED Task Light Complete

Fixture Dimensions			Fits Shelf Width	List Price	Catalog Number
Depth	Height	Width			
2" (51)	4/8" (14)	17" (432)	24"-60" (610-1524)	\$372	LEDTL17 LEDTL31 LEDTL44
		31" (787)	36"-60" (914-1524)	600	
		44" (1118)	48"-60" (1219-1524)	859	



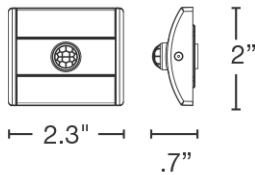
LED Task Light - Daisy Chain with Main Power

Fixture Dimensions			Fits Shelf Width	List Price	Catalog Number
Depth	Height	Width			
2" (51)	4/8" (14)	17" (432)	24"-60" (610-1524)	\$468	LEDTL17DCMP LEDTL31DCMP LEDTL44DCMP
		31" (787)	36"-60" (914-1524)	600	
		44" (1118)	48"-60" (1219-1524)	859	



LED Task Light - Daisy Chain with Jumper Cord

Fixture Dimensions			List Price	Catalog Number
Depth	Height	Width		
2" (51)	4/8" (14)	17" (432)	\$288	LEDTL17DCJC LEDTL31DCJC LEDTL44DCJC
		31" (787)	517	
		44" (1118)	768	



LED Task Light - Occupancy Sensor

Fixture Dimensions			List Price	Catalog Number
Depth	Height	Width		
7/16" (51)	2" (51)	2 3/16" (432)	\$269	LEDTLOS

Build your complete Part Number here: _____

Sample Part Number: _____

LEDTL17DCMP

Total Cost \$468 =

\$468

Luma Touch™ LED Desk Lamp

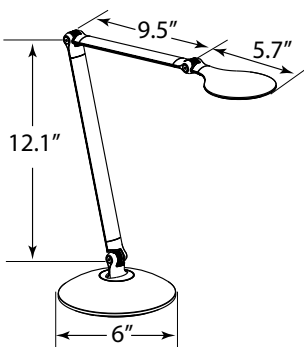
The Luma Touch LED personal task light is specified with either a Round or an Elongated lamp style. The Lamp can be selected with a Freestanding Base, Clamp Mount, or Slatwall Mount. The Slatwall Mount is compatible with Choices and Capture. Its double-arm articulated design allows the user to position the light effortlessly for optimum illumination. The single control responds to the lightest touch to turn on, turn off or dim to the perfect level. Once dimmed, the lamp will resume the same lighting

level if turned off and on. The optional Occupancy Sensor turns the lamp on when a user approaches and shuts it off after 30 minutes of inactivity, conserving energy use. Available in three colors. ETL, TAA and BAA certified.

complements any interior. The single control responds to turn on, turn off or dim to the perfect level. Once dimmed, the lamp will resume the same lighting level if turned off and on. UL Listed. Available in a Brushed Nickel finish

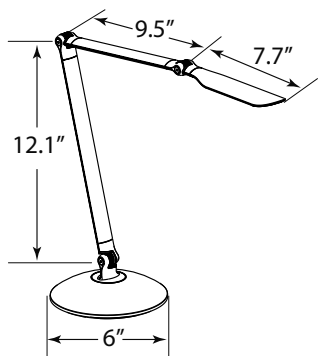
ORI LED Desk Lamp

The ORI LED Personal Task Light provides 390 Lumens of clear white light right where you need it. It offers a wide range of vertical and rotational adjustment so the user can direct the light where it's needed. The clean, simple and attractive design



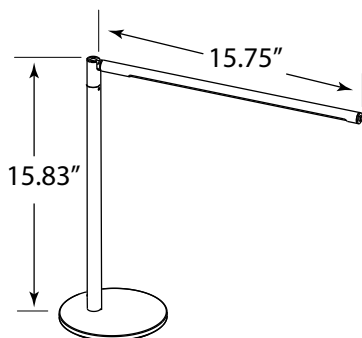
LumaTouch LED Desk Lamp - Circle

Description	List Price	Catalog Number	Occupancy Sensor	Color
Freestanding	\$ 629	LEDLTCRFS	OSN No Cost No Sensor	BK Black
Clamp Mount	629	LEDLTCRCP		
Slatwall Mount	629	LEDLTCRSW		
			OSY + \$211 Sensor	DW Designer White
				PA Platinum



LumaTouch LED Desk Lamp - Elongated

Description	List Price	Catalog Number	Occupancy Sensor	Color
Freestanding	\$ 629	LEDLTEGFS		
Clamp Mount	629	LEDLTEGCP		
Slatwall Mount	629	LEDLTEGSW		



ORI LED Desk Lamp

Description	List Price	Catalog Number	Occupancy Sensor	Color
Freestanding Base	\$ 360	LEDORIFS		
Build your complete Part Number here:				

Sample Part Number:

LEDLTCRFS .OSN .BK

Total Cost \$629 =

\$629 + N/C + N/C

Horizontal Wire Manager

The Horizontal Wire Manager accommodates electrical cords and communication cables. It attaches under all work tops and desks. Includes mounting hardware.

Available in Black only.

Monitor Arm

The monitor arms can be affixed to the back edge of the work surfaces between the panel and work surface or can also be bolted through the surface, with a drilled hole or grommet. The height can be adjusted 13" vertically and has 26"

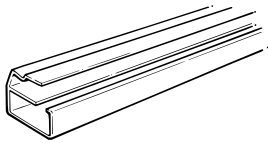
of reach. The arm can be adjusted to accurately counterbalance the weight of the monitor. Finally the arm can swivel 360 degrees. All this leads to an ergonomically correct viewing angle. Available in silver only.

Single Monitor Arm

The monitor arm will support any VESA compliant monitor with both 75mm and 100mm mounting holes up to 14 lbs.

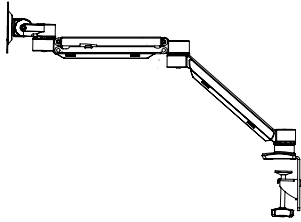
Dual Monitor Arm

The monitor arm will support any VESA compliant monitor with both 75mm and 100mm mounting holes up to 20 lbs total. Measured diagonally, the maximum screen width for each monitor is 22".



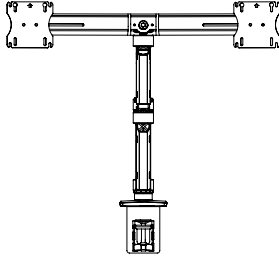
Horizontal Wire Manager

Depth	Dimensions Length	Height	List Price	Catalog Number
3" (76)	30" (762)	2" (51)	\$40	ⓂHWM30



Single Monitor Arm

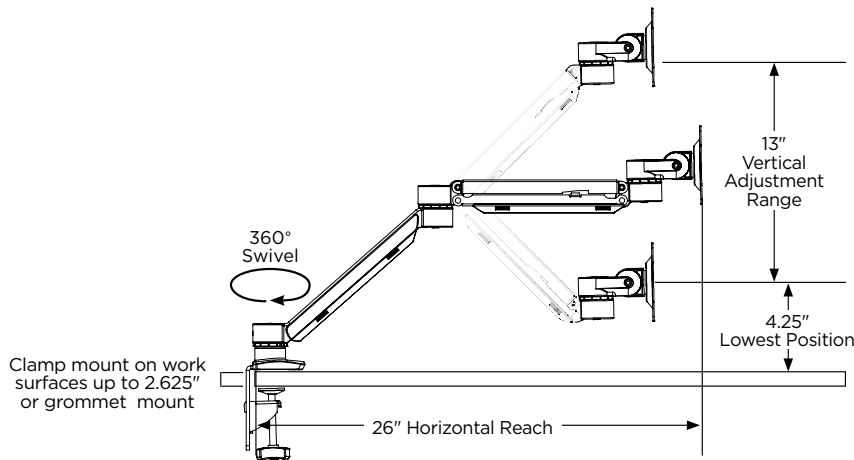
List Price	Catalog Number
\$454	MARMSNGL



Dual Monitor Arm

List Price	Catalog Number
\$599	MARMDUAL

Build your complete Part Number here: _____



Sample Part Number:

_____ HWM30 _____

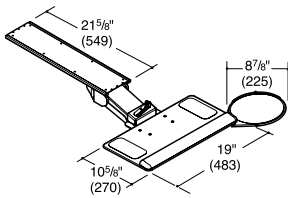
Total Cost \$40 =

\$40

Adjustable Tilt Keyboard and Mouse Platform

The Adjustable Tilt Keyboard and Mouse Platform has a 5 1/4" (133) height adjustment range, a low profile keyboard tray and a swing-out mouse platform. The keyboard mechanism features total knee clearance and simple, spring-assisted height adjustment without the use of knobs or levers. The keyboard tray includes a full-width, gel-filled wrist support for comfort and non-slip pads to keep the keyboard in place.

Keyboard tilt allows for a zero-to-negative 10° tilt capability. Keyboard tilt is easily changed by adjusting a sliding switch mounted on top of the keyboard mechanism. Includes mounting hardware. Available in Black only.



Adjustable Tilt Keyboard and Mouse Platform

	List Price	Catalog Number
	\$624	AKM2
Build your complete Part Number here:		_____

Sample Part Number:

Total Cost \$624 =

Pencil Drawer

The Pencil Drawer mounts beneath any work surface except certain Corner Work Surfaces*. The plastic drawer includes a built-in pencil tray and dividers, nylon slides and attachment hardware. Drawer is non-locking and offered in black only.

***Note:** The Pencil Drawer will fit on Choices Panel Hung Corner Work Surfaces and Freestanding Corner Desks with front widths greater than 22" (559).

Center Drawer

The Center Drawer mounts beneath any work surface except certain Corner Work Surfaces*. The drawer includes a built-in pencil tray and dividers, full-extension ball-bearing slides, and attachment hardware. Drawer is non-locking, painted metal and available in black only.

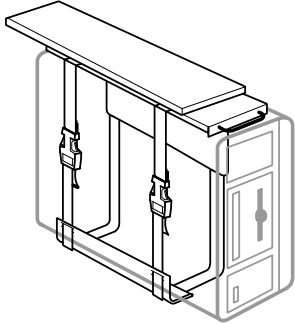
***Note:** The Center Drawer will fit on Choices Panel Hung Corner Work Surfaces and Freestanding Corner Desks with front widths greater than 22" (559).

CPU Holder – Vertical Mount

The CPU Holder mounts beneath a work surface to provide convenient vertical CPU storage. The holder has sturdy straps that adjust to fit the shape of the computer. The holder extends forward up to 12" (305) and swivels 360°. Supports up to 75 pounds (34kg). Includes mounting hardware. Available in Black only.

Pencil Drawer				
Depth	Dimensions Width	Height	List Price	Catalog Number
16 1/2" (410)	21 1/2" (546)	2" (51)	\$58	PDR

Center Drawer				
Depth	Dimensions Width	Height	List Price	Catalog Number
18" (457)	20 1/2" (521)	1 5/8" (41)	\$261	CDW

CPU Holder – Vertical Mount			List Price	Catalog Number
 <p>Maximum Size: 65" (1651) perimeter (example: 11 1/2" (292) high by 21" (533) wide)</p>			\$261	CPUH
<p>Note: Check CPU owner's manual to be certain CD-ROM and other components can operate when tilted.</p>				
<p>Build your complete Part Number here:</p>				-----

Sample Part Number:

CDW

Total Cost \$261 =

\$261

Horizontal Electrical Accessory

Horizontal Electrical Accessories provide power and data access, mounting to the back edge of a desk or work surface without a modesty panel.

The face plate is available in black or white. The outlet bezel and back of the unit is clear anodized aluminum. Includes a 6' power cord.

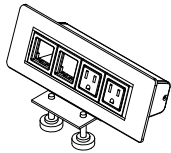
UL and CUL Listed.

Vertical Electrical Accessory

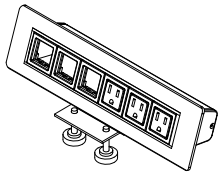
Vertical Electrical Accessories provide power and data access, mounting to the back of any desk or work surface without a modesty panel.

The face plate is available in black or white. The outlet bezel and back of the unit is clear anodized aluminum. Includes a 6' power cord.

UL and CUL Listed.



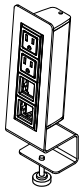
HEA2P2DB



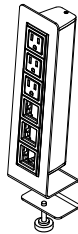
HEA3P3DB

Horizontal Electrical Accessory

Description	List Price	Catalog Number
Black Face Plate		
two power outlets, one USB	\$523	HEA2P1UB
two power outlets, one Ipod Dock	695	HEA2P1PB
two power outlets, two data openings	331	HEA2P2DB
three power outlets, one Extron Bracket	442	HEA3P1EB
three power outlets, three data openings	420	HEA3P3DB
White Face Plate		
two power outlets, one USB	\$523	HEA2P1UW
two power outlets, one Ipod Dock	695	HEA2P1PW
two power outlets, two data openings	331	HEA2P2DW
three power outlets, one Extron Bracket	442	HEA3P1EW
three power outlets, three data openings	420	HEA3P3DW



VEA2P2DB



Vertical Electrical Accessory

Description	List Price	Catalog Number
Black Face Plate		
two power outlets, one USB	\$ 523	VEA2P1UB
two power outlets, two data openings	331	VEA2P2DB
three power outlets, one Extron Bracket	442	VEA3P1EB
three power outlets, three data openings	420	VEA3P3DB
White Face Plate		
two power outlets, one USB	\$ 523	VEA2P1UW
two power outlets, two data openings	331	VEA2P2DW
three power outlets, one Extron Bracket	442	VEA3P1EW
three power outlets, three data openings	420	VEA3P3DW

Build your complete Part Number here: _____

Sample Part Number:

HEA2P1UB

Total Cost \$523 =

\$523

Horizontal Sliding Electrical Accessory

The Horizontal Sliding Electrical Accessory provides 3 3/4" of sliding access to power and data. The body is anodized aluminum. The unit can be used on work surfaces that are 48" or 54" wide. It cannot be used on other work surface widths because they include a reinforcement bar which will obstruct the track.

UL and CUL Listed.

Ribbed Horizontal Electrical Accessory

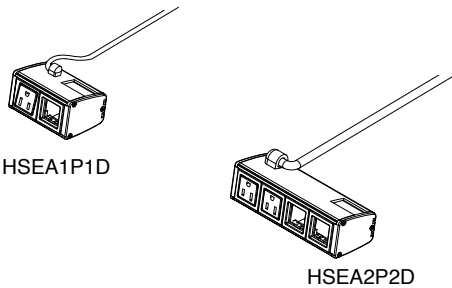
Ribbed Horizontal Electrical Accessories provide power and data access, mounting to the back of any desk or work surface without a modesty panel.

The body is anodized aluminum.

Unit includes a 6' power cord.

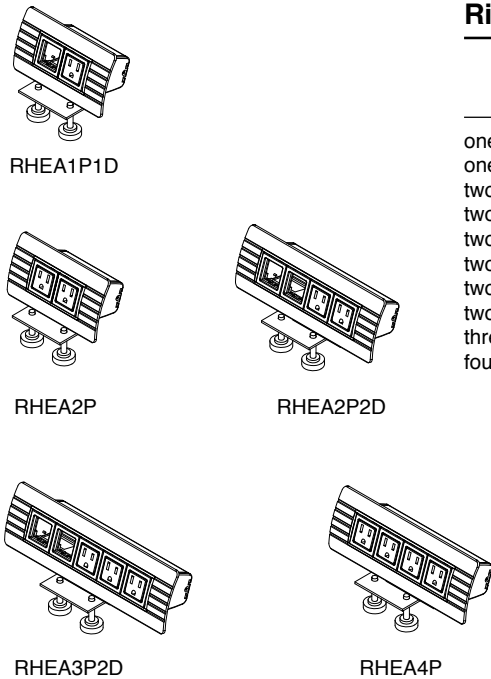
UL and CUL Listed.

Horizontal Sliding Electrical Accessory



Description	List Price	Catalog Number
one power outlet, one data opening	\$344	HSEA1P1D
two power outlets, two data openings	366	HSEA2P2D

Ribbed Horizontal Electrical Accessory



Description	List Price	Catalog Number
one power outlet, one data opening	\$344	RHEA1P1D
one power outlet, one Extron Bracket	371	RHEA1P1E
two power outlets	358	RHEA2P
two power outlets, one USB	557	RHEA2P1U
two power outlets, one data opening, one USB	573	RHEA2P1D1U
two power outlets, one Extron Bracket	392	RHEA2P1E
two power outlets, one Ipod Dock	730	RHEA2P1P
two power outlets, two data openings	366	RHEA2P2D
three power outlets, two data openings	392	RHEA3P2D
four power outlets	497	RHEA4P

Build your complete Part Number here:

Sample Part Number:

HSEA1P1D

Total Cost \$344 =

\$344

Terms, Policies & Index

Terms & Policies 22

Warranty 25

Index 26-28

1. Prices

Prices shown in this price list are F.O.B. origin, freight prepaid, in the contiguous United States. Trendway Corporation reserves the right to change prices without notice. Trendway may implement price changes effective at time of shipment if shipping date is more than 120 days from date written order was received by Trendway.

Pricing for shipments outside the contiguous United States will be based on the port of departure. Freight will be prepaid to port of departure.

List prices include coverage of prepaid standard, Trendway-specified freight cost.

2. Order Placement

Trendway Corporation requires all orders to be submitted electronically via on-line order entry at www.trenddealer.com, or in writing following Ordering Procedures on page 1. Trendway recommends using design software for larger projects which allows the dealer to design, specify, and enter an order more efficiently and accurately which will assure completeness and avoid errors and duplications. The Buyer assumes all responsibility for the correct content of any order which has been acknowledged.

3. Confirmation

Upon receiving an order, Trendway Corporation will send an acknowledgement with exact pricing information and scheduled shipping date. Orders can also be confirmed on-line at www.trenddealer.com. Customer is responsible for checking acknowledgements to ensure that the order is correct. Order will be processed as acknowledged.

4. Lead-Times

Trendway Corporation reserves the right to alter lead times as demand for products fluctuate. Stated lead-times begin after a complete order is entered and scheduled. Shipments are subject to product availability. Special products and larger orders may extend lead-times. Orders placed by dealers without a requested delivery date will be assigned a delivery date of 4 weeks for standard product orders and 6 weeks for custom product orders. Please contact your customer care representative for exact lead-times.

5. Buyer's Credit

If, in the judgment of Trendway, the financial condition of the Buyer at any time does not justify the terms specified, Trendway may at any time by notice to the Buyer require prepayment or other terms of payment

differing from those specified in Section 8 or other satisfactory security to insure prompt payment of invoices.

6. Order Changes

To change an order, the customer must call Trendway Customer Care for order status. If approved, the customer must confirm the changes in writing to Trendway Corporation. Customer agrees to accept any and all charges involved in altering an order. This includes payment, determined by Trendway, for product already in production. Changes in orders also may result in delayed shipments.

7. Cancellation

All cancellations must be approved by Trendway Corporation. **Orders in production cannot be cancelled without incurring substantial or full purchase price.** Customers shall agree to accept any and all charges involved in the cancellation transaction, as determined by Trendway. Non-standard items may not be cancelled.

8. Terms of Sale

Terms of sale on all invoices to approved Trendway customers are Net 30 days from date of invoice. These terms may be changed at any time by Trendway Corporation based on credit rating information available on specific customers. Payment in advance may be requested at the discretion of Trendway without explanation.

9. Taxes

Prices listed do not include any federal, state, local, or other taxes. Purchaser agrees to pay or reimburse any such taxes that Trendway Corporation, Trendway Corporation subcontractors, or suppliers are required to pay. For shipments to AZ, CA, CO, DC, FL, GA, IL, IN, KS, MA, MI, MN, MS, NJ, NY, OH, PA, TX and Canada, add appropriate tax rate. All authorized dealers should ensure that a resale exemption certificate is on file with Trendway Corporation.

10. Past-Due Accounts

Past-due accounts will be charged 1.5% per month. This is an annual rate of 18% or the highest legal rate on the unpaid balance. The purchaser agrees to pay all collection agency fees, court costs, and/or reasonable attorney fees incurred by Trendway in the collection of past-due balances.

11. Customer's Own Material (COM)

The Trendway COM program allows customers to use special materials. By complying with the COM testing for manufacturability procedure in the steps below, Trendway will be able to identify if your material is appropriate for application to the products you specify.

To comply with the COM process, please follow these steps:

1. Select the COM material.
2. Check first with www.trenddealer.com/COM Library, to determine if this material has already passed testing for manufacturability on the intended product.
3. If the material is pre-approved in the COM Library, customer must submit a *COM Order Submission Form* (available from Trendway Customer Care Representative).
4. If the material requested is not in the COM Library, customer must submit a *COM* test request on-line at www.trenddealer.com, send a sample of the COM material (see Test Yardage Requirements below), and include a list of Trendway product numbers designated for the COM application. Material sample should include pattern name, pattern number and color, manufacturer, direction material should be applied, and Control number from the COM Request Form automated e-mail response.
5. Ship COM samples to:

U.S. Mail and UPS, FedEx Shipment:
 Trendway Corporation
 13467 Quincy Street
 Holland, MI 49424
 Attn: COM Request
6. You will be notified within five working days of receiving the material sample by Trendway, whether your COM has been approved or disapproved for application.

TEST YARDAGE REQUIREMENTS

Capture Tiles	1 yard
Choices panels	1 1/2 yards
Fabric screens	2 yards
Flipper doors	2 1/2 yard
Intrinsic Freestanding	1 yard
Ped Cushions	1 yard
Seating	Trendway requests
Seating - Parley	1 yard
Seating - Zego	1 1/2 yards
Tackboards	1 yard
TrendWall	4 yards
Volo tiles	4 yards

NOTE: Most fabric houses have a yardage minimum or an upcharge on less than one-yard cuts.

NOTE: All COM applications are priced at Grade 1 or Grade A.

If Buyer desires to use his own material in the production of Trendway's products, it is necessary to obtain the prior written consent of Trendway. Material provided by the Buyer shall be shipped to seller,

processing or during transportation. Buyer hereby holds Trendway harmless against any and all claims for loss, liability, injury, or damage arising from use of customer material; and Buyer takes full responsibility for performance and quality of customer material. Buyer should also be aware that Buyer-furnished materials will not qualify for UL Listings and may not meet fire codes. Please discuss specific concerns and special needs with Trendway Customer Care PRIOR to placing your order.

11a. Custom Color

Trendway's Custom Color program allows the customer to specify their own color or stain on many of Trendway's products. See www.trenddealer.com for product availability, individual product guidelines and lead times. Set up fees and lead times are product specific and will vary.

To request a Custom Color or Stain:

- Complete a Custom Color Request form (available on www.trenddealer.com).
- Send request form along with two 2"x3" samples to Trendway Customer Care Color Coordinator.
- After the receipt of the request, Trendway will provide customer with one color sample.
- If approved, Dealer or customer completes custom color form, providing the custom match color number on the back of the sample, signs, and returns by fax or mail to Custom Color Coordinator.
- Samples will be matched under cool white florescent lighting. All orders processed under the Custom Color program will be manufactured within commercially acceptable tolerances.
- If applicable, dealer will be sent an invoice for \$250 color matching fee per customer, per color. See Specials Request form for details.

12. Special Product

When Trendway purchases special surface materials (i.e., fabrics and laminates) at the request of the customer, the customer takes full responsibility for the performance and quality of the surface material.

13. Delays

Trendway shall not be liable for loss or damage due to delay in manufacturing or delivery resulting from any cause beyond Trendway's reasonable control, including, but not limited to,

compliance with any regulations, orders, or instructions of any Federal, State, or Municipal Government, or any department or agency thereof, acts of God, acts or omissions of Buyer, acts of civil or military authority, fires, strikes, factory shutdowns or alterations, embargoes, war, riot, delays in transportation or inability due to causes beyond Trendway's reasonable control to obtain necessary labor, manufacturing facilities, or material from Trendway's usual sources. In no event shall Trendway be liable for special or consequential damages for any delay for any cause.

14. Postponement of Delivery

If unforeseen circumstances occur, Trendway Corporation may postpone delivery of ordered products. Customer will be notified when such postponement occurs.

15. Storage

When shipment is delayed by the Buyer, Trendway reserves the right to place the goods in storage at customer's risk and cost. Trendway charges 1/2 of 1% of list price per week to cover storage. All terms and conditions of the sale, including but not limited to invoicing and payment, will continue as Buyer-specified destination; except that title remains with Trendway and that Trendway reserves the right to modify payment terms to assure recovery of any additional cost incurred.

16. Transportation

All orders shipped to any destination, within the contiguous United States, will be F.O.B. origin, freight prepaid, and risk of loss or damage shall pass to Buyer upon delivery to carrier. Trendway will determine the method and agency of transportation to be used.

Exceptions to standard prepaid freight are as follows:

- Customer directed expedites (Air Freight, Team Hauls) will be prepaid by Trendway and Customer will be billed the difference between standard and expedited freight.
- Truckload deliveries that are requested to deliver on weekends, Holidays or after 12:00 noon EST on Friday's will have an additional charge of \$450 per truck.
- Excessive unloading (in excess of 2 hours) will be billed at \$50 per hour after the initial 4 hour unloading period.
- LTL shipments normally deliver between 8:00 am and 5:00 pm, Monday through Friday. A specific delivery time on your assigned delivery date can be

requested for an additional charge of \$150. This charge does not apply to full-truckload shipments. Requests for specific dates/times falling outside standard delivery timeframe for the carrier serving your area constitute Expedites (see Customer-Directed Expedites, above). Expedite charges do apply to full-truckload shipments.

- Lift gate service will have an additional charge of \$85 for an LTL carrier. For lift gate service on a truckload, contact Customer Care.
- Inside delivery service starts at \$50. Call Customer Care for quote.
- Reconsignment cost after shipment, starts at \$50. Call Customer Care for quote.
- Special equipment requirements call for a quote.

In the event that special F.O.B. Destination terms are agreed to by Trendway or delivery is made on Trendway-owned or -leased equipment, customer or authorized representative is responsible for noting any freight damage or shortage on the freight bill of lading at time of delivery and must notify Trendway within five (5) days of delivery day of any such damage or shortage. Assistance in a concealed damage claim on an F.O.B. Destination shipment will be provided by Trendway only if the product has been immediately unpacked and both the carrier and Trendway have been promptly notified of resultant damage so the proper inspection can be made.

Shipping Note:

Trendway strives to minimize packaging to help the environment and to make installations faster and cleaner.

Trendway ships products in using various packaging methods based upon the product type and shipping method (full truck vs. LTL), all of which are designed to provide protection for the product while minimizing packaging materials.

Trendway test packaging designs to ensure their effectiveness.

17. Product Ownership

Title and risk of loss to all goods sold shall pass to Buyer upon Trendway's delivery to Buyer or to a carrier at shipping point. Trendway, however, retains the Purchase Money Security Interest in all goods shipped and the right to perfect same.

18. Damaged Materials

Trendway Corporation is not responsible for shipped products when the common carrier is in receipt of the material. Trendway expects all customers to thoroughly inspect orders on receipt regardless of point of delivery. Clear receipt should not be given on the material until it has been checked for damage in transit. All claims for noted damaged material must be made by the customer to Trendway Customer Care.

Concealed damage or damage not noted at time of delivery shall be made by the customer to the common carrier within 5 days after receipt. Trendway assumes no liability for such damage.

19. Shortage on Order

Shortage on ordered products must be reported to Trendway Corporation within five (5) days of product delivery and must be noted on bill of lading at time of delivery.

20. Product Usage and Compliance

Buyer assumes full responsibility for the application of Trendway's product to Buyer's use, and compliance with Trendway installation and maintenance instructions and reasonable load restrictions. Compliance to local code restrictions regarding fire, electrical, and building codes are the responsibility of the customer or his authorized agent.

21. Post-Delivery Assistance

Installation and servicing of Trendway products are normally handled directly by Trendway-authorized dealers. When this is not possible, assistance is available by calling Trendway's Customer Care Department, Holland, Michigan.

22. Returned Goods

As a basic policy, Trendway does not accept returned material, because most items are manufactured per order and are not in stock at the factory. If material is authorized for return because of Trendway error, shipment may be made freight collect. Any other goods for which Trendway does authorize a return will be sent prepaid and a restocking charge of 35% will apply. **To receive authorization to return goods, please contact Trendway's Customer Care Department.**

All Returned Materials Authorizations expire thirty (30) days from date of issue. Any product returned after 30 days will be refused and returned to sender collect.

Electrical components, nonstandard items and fabric-covered goods may not be returned. Replacement products will be billed to you with credit being issued upon return of the product in good condition. All goods returned must be in the original

Trendway packing cartons. Goods will be inspected for damage upon return. No credit will be issued for goods which are damaged. **As a general statement of policy, return authorization will not be issued for items unless they are Trendway stock items.**

23. Special Marking or Tagging

Special tagging is available on all orders free of charge. Trendway suggests this option to simplify the staging and installation of product. **Tag designations must be specified at the time an order is placed.**

24. Trendway Field Technical and Installation Support:

On-site field measurement and installation support is available as a service. The fees are listed below:

Field Installation Assistance: 2 Day
On-Site, \$1,200

Field Installation Assistance: 3 Days
On-Site, \$1,800

Field Installation Assistance: 4 Days
On-site, \$2,400

Field Installation Assistance: 5 Days
On-Site, \$3,000

Days include 1/2 day travel to and 1/2 day travel from location. These fees are based on a minimum 14 business days advanced notification and booking. Service requests booked less than 14 business days in advance may be subject to additional fees due to added travel cost. For more information or to place a request, contact Trendway Customer Care at 1-616-399-3900.

Find the most current terms and conditions on www.Trendway.com, in the Price list section.

Limited Lifetime Warranty

Trendway Corporation warrants to the original purchaser that the products described in its price lists, sold after August 1, 2004 will be free from defects in materials and workmanship commencing with the date of initial purchase and continuing for as long as the original owner uses these products. This warranty provides limits on the following products:

	Systems	Architectural Product	Seating
10 Year	<ul style="list-style-type: none"> •Electrical Components •Height-Adjustable Table Frame 		<ul style="list-style-type: none"> •Pneumatic Cylinders •Mechanisms
5 Year	<ul style="list-style-type: none"> •Drawer Slides •Systems Textiles •Finishes •Electronic Ballasts •Height-Adjustable Table Mechanical Components 	<ul style="list-style-type: none"> •System Textiles •Finishes 	
3 Year	<ul style="list-style-type: none"> •Veneer •Magnetic Ballasts 		<ul style="list-style-type: none"> •Trim •Foam •Upholstery •Arm Pads
2 Year	<ul style="list-style-type: none"> •Surface Trend Fabrics •Height-Adjustable Table Electrical Components 	<ul style="list-style-type: none"> •Surface Trend Fabrics 	
1 Year	<ul style="list-style-type: none"> •Non-Standard Product •Personal Task Lighting 	<ul style="list-style-type: none"> •Non-Standard Product 	<ul style="list-style-type: none"> •Non-Standard Product
Not Covered	<ul style="list-style-type: none"> •Light Bulbs •Customer's Own Material 	<ul style="list-style-type: none"> •Customer's Own Material 	<ul style="list-style-type: none"> •Customer's Own Material

The following exceptions apply to all product lines:

- The Trendway warranty applies to normal three shift office use, with the exception of seating. Seating is warranted for single-shift usage.
- Damage caused by improper treatment of the product including exposure to unusual environmental conditions (extreme climates, acids, and moisture)

This comprehensive warranty applies to all products installed or reconfigured by a Trendway authorized installer. Trendway will repair, or at its option, replace defective merchandise, free of charge, which, when used normally and pursuant to Trendway's published instructions, and applicable planning guide information, prove to be defective within the period stated. This remedy is expressly agreed to be exclusive as a condition of sale. No person is authorized to assume for Trendway any warranty liability, except as expressly set forth in this paragraph, or set forth in writing by an authorized officer of the company at its headquarters in Holland, Michigan.

Any and all labor charge backs must be pre-approved by Trendway's Customer Care Manager in writing. Trendway will reimburse authorized Trendway dealers and service centers for approved warranty labor during the first year of use.

This warranty does not apply to damage resulting from accident, alteration, transport, or misuse, as well as damage from normal wear and tear such as dents, nicks, scratches, fading and improper maintenance. Trendway employs quality measures to ensure color consistency in our products. However, due to the effects of light and other environmental factors, no guarantee can be made for an exact match to product in an existing installation.

Natural variations occurring in materials such as wood and leather are not considered defects, and Trendway does not warrant the matching of colors, grains, textures or colorfastness of these materials.

Trendway provides a three-year warranty on veneer products for quality and craftsmanship. Due to the natural properties of wood, the following are not covered under this warranty:

- Changes in wood color resulting from exposure to light or aging
- Natural color variation between wood veneer and solid wood pieces, or resulting from veneer lay-up
- Natural variation in woodgrain or the presence of character marks
- Normal wear and tear
- Exact match to swatch materials

Trendway makes no warranty to purchasers who acquire products for personal, family, or household purposes, or to purchasers acquiring the product other than directly from Trendway Corporation, its authorized dealers, or others who are specifically authorized by Trendway to sell such products. Trendway's liability with respect to its products shall not exceed that expressly set forth above irrespective of the theory upon which a claim might be based, including negligence. Under no circumstances shall Trendway be liable for incidental or consequential damages. Original product label must be attached to the product in question.

The warranty period is not interrupted or prolonged by the performance of a service under the terms of the warranty. There are no other warranties except as expressly set forth above, either express or implied, including any warranty of design, merchantability or fitness for any purpose.

This warranty supersedes all previously printed Trendway warranties.

Trendway Corporation
13467 Quincy St., Holland MI 49422-9016
www.trendway.com 09.12

Catalog No.	Description	Page	Catalog No.	Description	Page
AKM2	Adjustable Tilt Keyboard & Mouse Platform.....	17	SCNAPT2412	Panel Topper Acrylic Screen.....	12
CDW	Center Drawer.....	18	SCNAPT3012	Panel Topper Acrylic Screen.....	12
CPUH	PCU Holder - Vertical Mount.....	18	SCNAPT3612	Panel Topper Acrylic Screen.....	12
HEA2P1PB	Horizontal Electrical Accessory.....	19	SCNAPT4212	Panel Topper Acrylic Screen.....	12
HEA2P1PW	Horizontal Electrical Accessory.....	19	SCNAPT4812	Panel Topper Acrylic Screen.....	12
HEA2P1UB	Horizontal Electrical Accessory.....	19	SCNAPT6012	Panel Topper Acrylic Screen.....	12
HEA2P1UW	Horizontal Electrical Accessory.....	19	SCNAPT2416	Panel Topper Acrylic Screen.....	12
HEA2P2DB	Horizontal Electrical Accessory.....	19	SCNAPT3016	Panel Topper Acrylic Screen.....	12
HEA2P2DW	Horizontal Electrical Accessory.....	19	SCNAPT3616	Panel Topper Acrylic Screen.....	12
HEA3P1EB	Horizontal Electrical Accessory.....	19	SCNAPT4216	Panel Topper Acrylic Screen.....	12
HEA3P1EW	Horizontal Electrical Accessory.....	19	SCNAPT4816	Panel Topper Acrylic Screen.....	12
HEA3P3DB	Horizontal Electrical Accessory.....	19	SCNAPT6016	Panel Topper Acrylic Screen.....	12
HEA3PEDW	Horizontal Electrical Accessory.....	19	SCNAPT2418	Panel Topper Acrylic Screen.....	12
HSEA1P1D	Horizontal Sliding Electrical Accessory.....	20	SCNAPT3018	Panel Topper Acrylic Screen.....	12
HSEA2P2D	Horizontal Sliding Electrical Accessory.....	20	SCNAPT3618	Panel Topper Acrylic Screen.....	12
LEDLTCRFS	LumaTouch Desk Lamp - Circle.....	15	SCNAPT4218	Panel Topper Acrylic Screen.....	12
LEDLTCRCP	LumaTouch Desk Lamp - Circle.....	15	SCNAPT4818	Panel Topper Acrylic Screen.....	12
LEDLTCRSW	LumaTouch Desk Lamp - Circle.....	15	SCNAPT6018	Panel Topper Acrylic Screen.....	12
LEDLTEGFS	LumaTouch Desk Lamp - Elongated.....	15	SCNAPT2424	Panel Topper Acrylic Screen.....	12
LEDLTEGCP	LumaTouch Desk Lamp - Elongated.....	15	SCNAPT3024	Panel Topper Acrylic Screen.....	12
LEDLTEGSW	LumaTouch Desk Lamp - Elongated.....	15	SCNAPT3624	Panel Topper Acrylic Screen.....	12
LEDORIFS	ORI Desk Lamp.....	15	SCNAPT4224	Panel Topper Acrylic Screen.....	12
LEDORICP	ORI Desk Lamp.....	15	SCNAPT4824	Panel Topper Acrylic Screen.....	12
LEDTL17	LED Task Light Complete.....	14	SCNAPT6024	Panel Topper Acrylic Screen.....	12
LEDTL17DCJC	LED Task Light - Daisy Chain w/ Jumper Cord... 14	14	SCNAPT2430	Panel Topper Acrylic Screen.....	12
LEDTL17DCMP	LED Task Light - Daisy Chain w/ Main Power... 14	14	SCNAPT3030	Panel Topper Acrylic Screen.....	12
LEDTL31	LED Task Light Complete.....	14	SCNAPT3630	Panel Topper Acrylic Screen.....	12
LEDTL31DCJC	LED Task Light - Daisy Chain w/ Jumper Cord... 14	14	SCNAPT4230	Panel Topper Acrylic Screen.....	12
LEDTL31DCMP	LED Task Light - Daisy Chain w/ Main Power... 14	14	SCNAPT4830	Panel Topper Acrylic Screen.....	12
LEDTL44	LED Task Light Complete.....	14	SCNAPT6030	Panel Topper Acrylic Screen.....	12
LEDTL44DCJC	LED Task Light - Daisy Chain w/ Jumper Cord... 14	14	SCNBECMS2424	Single Acrylic Screen - Edge Mount Bracket.....8	8
LEDTL44DCMP	LED Task Light - Daisy Chain w/ Main Power... 14	14	SCNBECMS3024	Single Acrylic Screen - Edge Mount Bracket.....8	8
LEDTLOS	LED Task Light - Occupancy Sensor.....	14	SCNBECMS3624	Single Acrylic Screen - Edge Mount Bracket.....8	8
MARMDUAL	Dual Monitor Arm.....	16	SCNBECMS4224	Single Acrylic Screen - Edge Mount Bracket.....8	8
MARMSNGL	Single Monitor Arm.....	16	SCNBECMS4824	Single Acrylic Screen - Edge Mount Bracket.....8	8
PDR	Pencil Drawer.....	18	SCNBECMS5424	Single Acrylic Screen - Edge Mount Bracket.....8	8
RHEA1P1D	Ribbed Horizontal Electrical Accessory.....	20	SCNBECMS6024	Single Acrylic Screen - Edge Mount Bracket.....8	8
RHEA1P1E	Ribbed Horizontal Electrical Accessory.....	20	SCNBECMS6624	Single Acrylic Screen - Edge Mount Bracket.....8	8
RHEA2P	Ribbed Horizontal Electrical Accessory.....	20	SCNBECMS7224	Single Acrylic Screen - Edge Mount Bracket.....8	8
RHEA2P1D1U	Ribbed Horizontal Electrical Accessory.....	20	SCNBECMS2430	Single Acrylic Screen - Edge Mount Bracket.....8	8
RHEA2P1E	Ribbed Horizontal Electrical Accessory.....	20	SCNBECMS3030	Single Acrylic Screen - Edge Mount Bracket.....8	8
RHEA2P1P	Ribbed Horizontal Electrical Accessory.....	20	SCNBECMS3630	Single Acrylic Screen - Edge Mount Bracket.....8	8
RHEA2P1U	Ribbed Horizontal Electrical Accessory.....	20	SCNBECMS4230	Single Acrylic Screen - Edge Mount Bracket.....8	8
RHEA2P2D	Ribbed Horizontal Electrical Accessory.....	20	SCNBECMS4830	Single Acrylic Screen - Edge Mount Bracket.....8	8
RHEA3P2D	Ribbed Horizontal Electrical Accessory.....	20	SCNBECMS5430	Single Acrylic Screen - Edge Mount Bracket.....8	8
RHEA4P	Ribbed Horizontal Electrical Accessory.....	20	SCNBECMS6030	Single Acrylic Screen - Edge Mount Bracket.....8	8
SCNAFS2424	Single Acrylic Screen - Freestanding Plate.....	7	SCNBECMS6630	Single Acrylic Screen - Edge Mount Bracket.....8	8
SCNAFS3024	Single Acrylic Screen - Freestanding Plate.....	7	SCNBECMS7230	Single Acrylic Screen - Edge Mount Bracket.....8	8
SCNAFS3624	Single Acrylic Screen - Freestanding Plate.....	7	SCNCKK	Corner Connector Kit.....	9
SCNAFS4224	Single Acrylic Screen - Freestanding Plate.....	7	SCNCKK2	Corner Connector Kit.....	9
SCNAFS4824	Single Acrylic Screen - Freestanding Plate.....	7	SCNDTCMS2424	Single Acrylic Screen - Top Mount Bracket.....9	9
SCNAFS5424	Single Acrylic Screen - Freestanding Plate.....	7	SCNDTCMS3024	Single Acrylic Screen - Top Mount Bracket.....9	9
SCNAFS6024	Single Acrylic Screen - Freestanding Plate.....	7	SCNDTCMS3624	Single Acrylic Screen - Top Mount Bracket.....9	9
SCNAFS6624	Single Acrylic Screen - Freestanding Plate.....	7	SCNDTCMS4224	Single Acrylic Screen - Top Mount Bracket.....9	9
SCNAFS7224	Single Acrylic Screen - Freestanding Plate.....	7	SCNDTCMS4824	Single Acrylic Screen - Top Mount Bracket.....9	9
SCNAFS2430	Single Acrylic Screen - Freestanding Plate.....	7	SCNDTCMS5424	Single Acrylic Screen - Top Mount Bracket.....9	9
SCNAFS3030	Single Acrylic Screen - Freestanding Plate.....	7	SCNDTCMS6024	Single Acrylic Screen - Top Mount Bracket.....9	9
SCNAFS3630	Single Acrylic Screen - Freestanding Plate.....	7	SCNDTCMS6624	Single Acrylic Screen - Top Mount Bracket.....9	9
SCNAFS4230	Single Acrylic Screen - Freestanding Plate.....	7	SCNDTCMS7224	Single Acrylic Screen - Top Mount Bracket.....9	9
SCNAFS4830	Single Acrylic Screen - Freestanding Plate.....	7	SCNDTCMS2430	Single Acrylic Screen - Top Mount Bracket.....9	9
SCNAFS5430	Single Acrylic Screen - Freestanding Plate.....	7	SCNDTCMS3030	Single Acrylic Screen - Top Mount Bracket.....9	9
SCNAFS6030	Single Acrylic Screen - Freestanding Plate.....	7	SCNDTCMS3630	Single Acrylic Screen - Top Mount Bracket.....9	9
SCNAFS6630	Single Acrylic Screen - Freestanding Plate.....	7	SCNDTCMS4230	Single Acrylic Screen - Top Mount Bracket.....9	9
SCNAFS7230	Single Acrylic Screen - Freestanding Plate.....	7	SCNDTCMS4830	Single Acrylic Screen - Top Mount Bracket.....9	9
SCNAHAP	Screen Alignment Clip.....	12	SCNDTCMS5430	Single Acrylic Screen - Top Mount Bracket.....9	9

Catalog No.	Description	Page	Catalog No.	Description	Page
VEA2P1UW	Vertical Electrical Accessory	14			
VEA2P2DB	Vertical Electrical Accessory	14			
VEA2P2DW	Vertical Electrical Accessory	14			
VEA3P1EB	Vertical Electrical Accessory	14			
VEA3P1EW	Vertical Electrical Accessory	14			
VEA3P3DB	Vertical Electrical Accessory	14			
VEA3P3DW	Vertical Electrical Accessory	14			